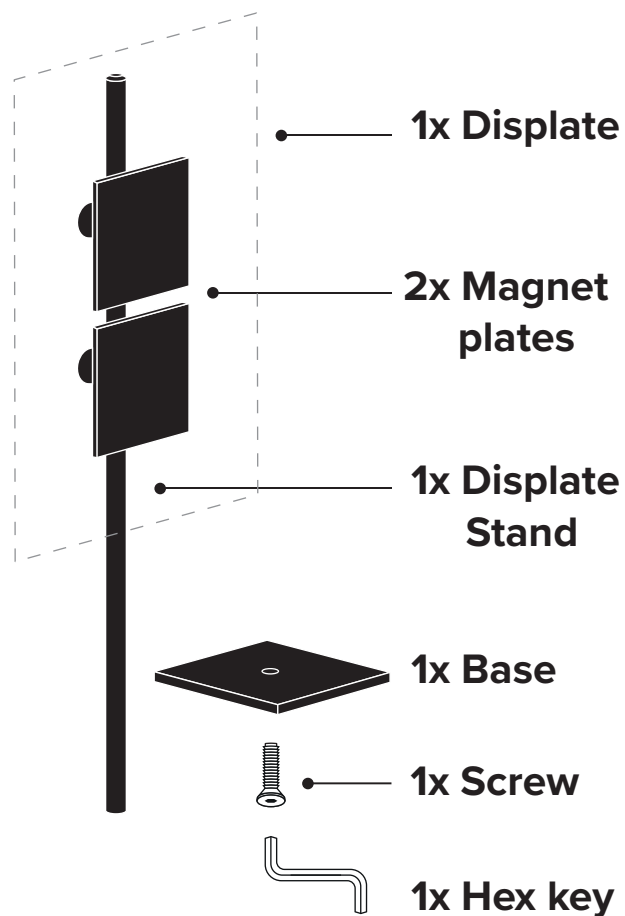


ASSEMBLY GUIDE

Displate
STAND

WHAT'S IN THE PACKAGE?



MOUNTING



1. ASSEMBLE

- Use the hex key to attach the base to the Displate Stand. Turn the key clockwise and tighten the screw to secure the Stand.
- Slide two magnet plates on the Stand.

2. ADJUST

Loosen the plastic bolts (counterclockwise) to move the magnet plates. Remember to tighten them clockwise after you set the magnet plates.



3. MOUNT

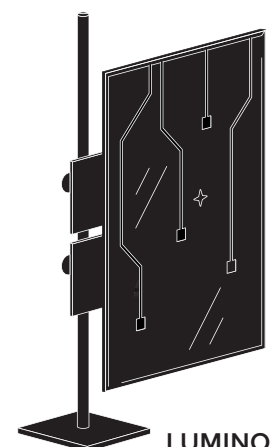
- Use one magnet plate for medium Displate.



- You can hang two medium Displates back-to-back.



- Use two magnet plates for a large Displate or Lumino.



CAUTION

Make sure to tighten all screws. Use only indoors, on flat, horizontal surfaces. Before you move magnet plates, please ensure the plastic screws are fully unscrewed. It's a small step, but it'll keep your stand looking pristine. Thanks for taking care!



Not suitable for children under 12 years old.



Press the magnet again every three months to retain the maximal hold.



Do not place the Displate Stand close to the surface edges. It can topple and cause damage.



Do not submerge in water.

CONTACT US

In case of any questions, don't hesitate to contact us via email: support@displate.com

www.displate.com